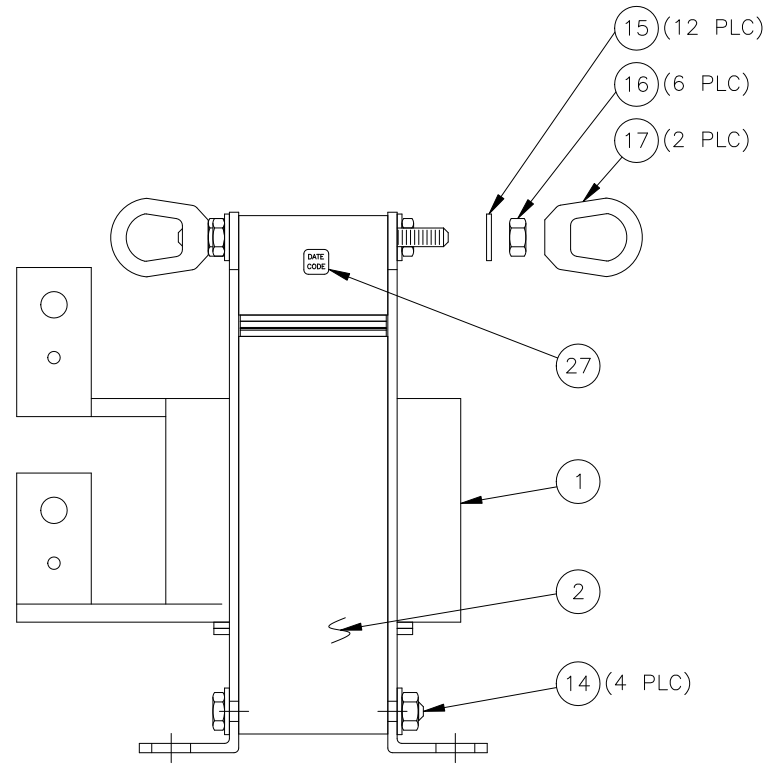
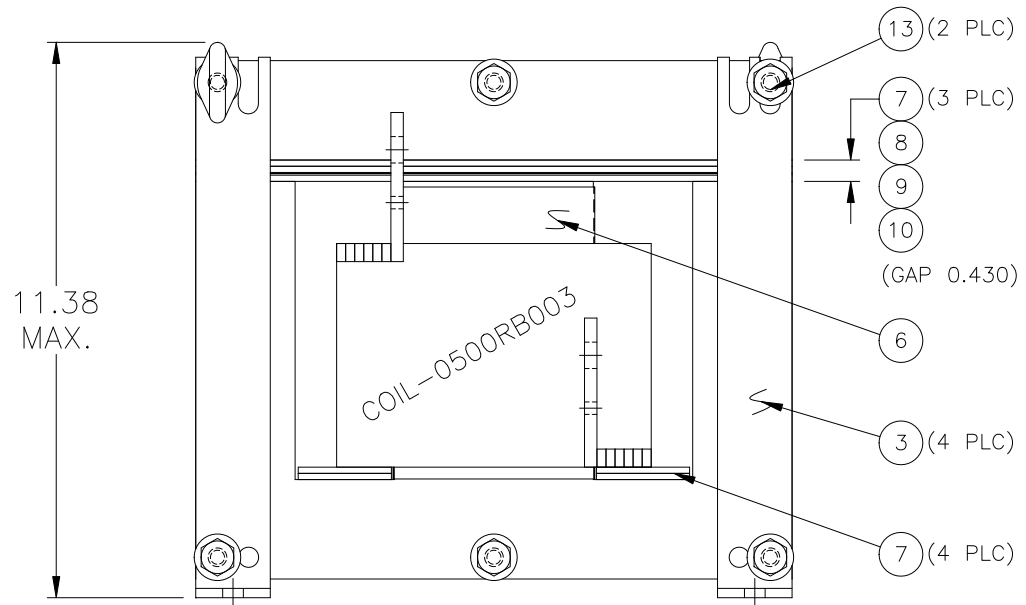
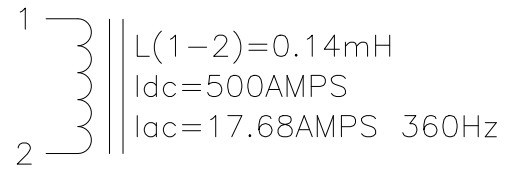
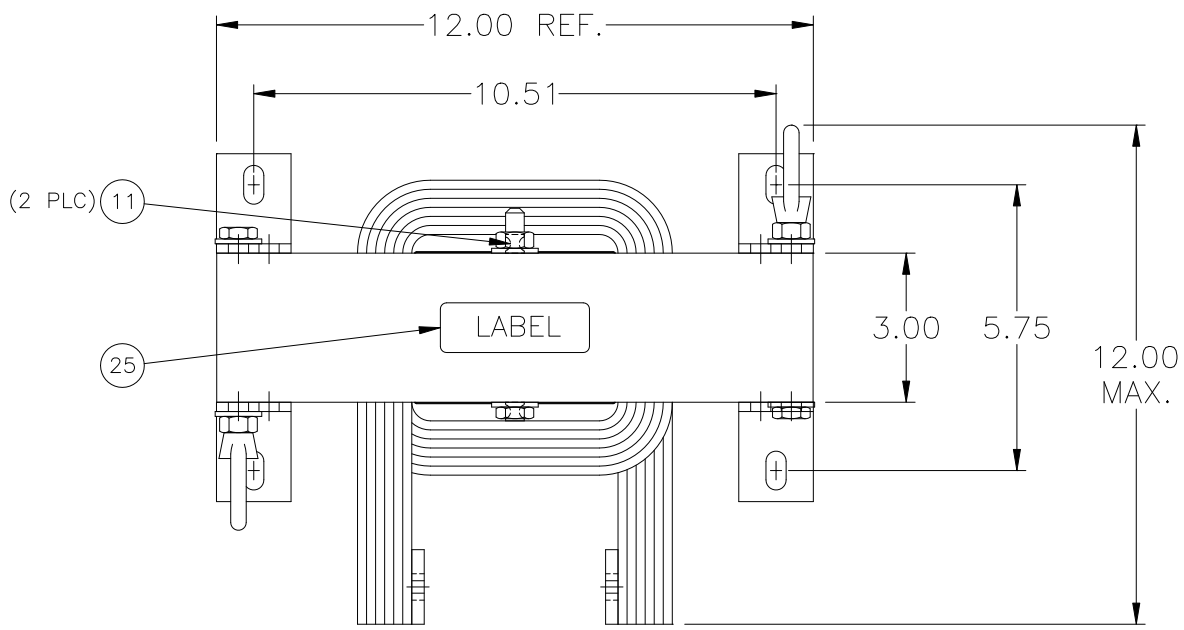


NO.	CHANGE DESCRIPTION	BY	DATE	C'K'D
-----	--------------------	----	------	-------



UNLESS OTHERWISE SPECIFIED, DIMENSIONS ARE IN INCHES [mm] AND TOLERANCES ARE:

- DECI. ± 0.030 FRAC. ± 1/8
- ANGLES ± 1° DRILLED HOLES ± 0.010

PART NAME:	DC LINK CHOKE REACTOR
DESCRIPTION:	ASSEMBLY
FINISH:	SPSDOC EF1FIN1 & SPF003

MTE CORPORATION MEMONEE FALLS, WISCONSIN AN SL INDUSTRIES COMPANY			REV. 00
500RB003			
SCALE	NTS	DATE 01/08/08	C'K'D
REF.	DR. BY	GX	APP'D